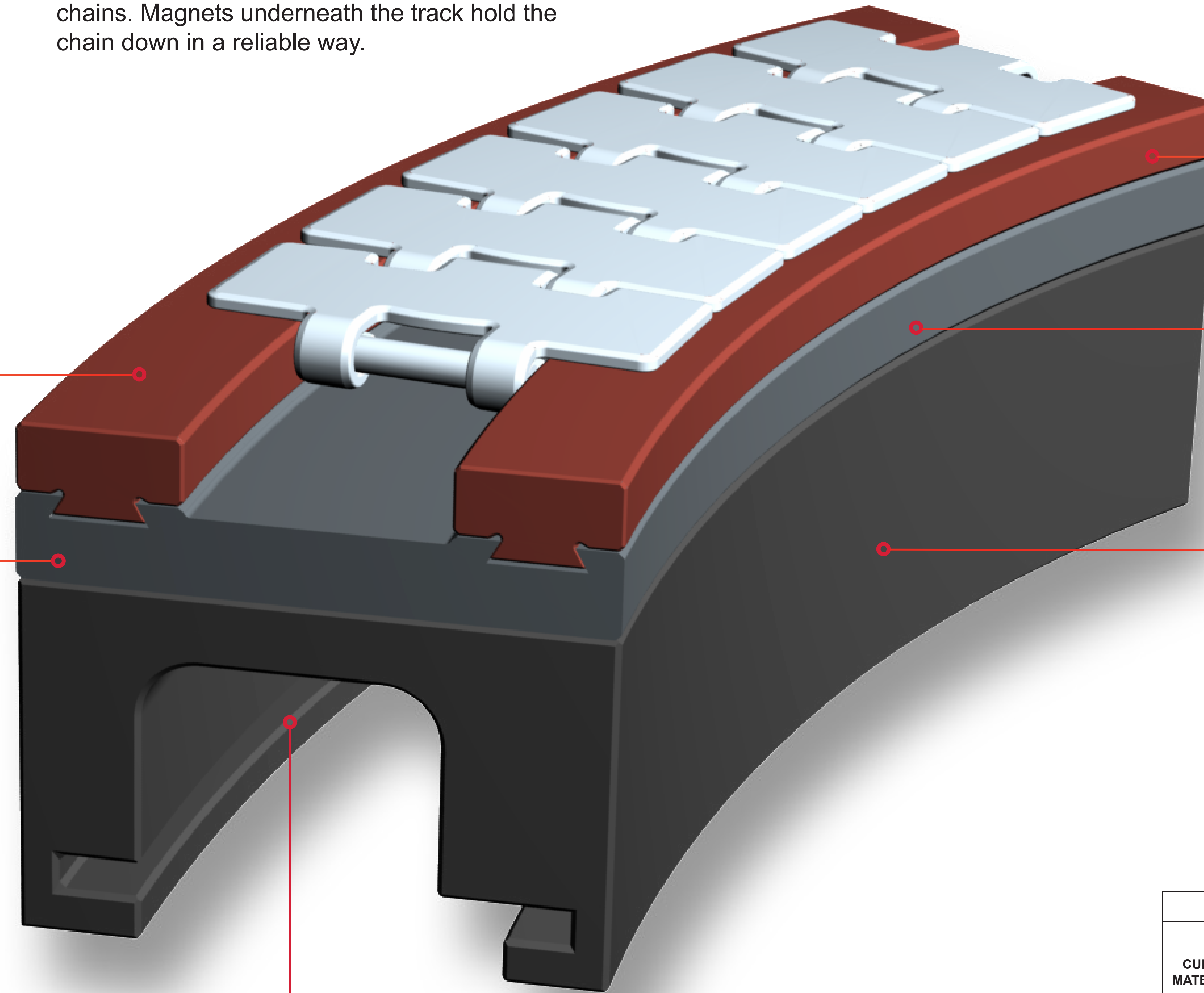


Rexnord Magnetflex® Combi-X Corner tracks

From the inventors of the Magnetflex® Combi Curves

The Rexnord® Magnetflex® corner track system, introduced in 1979, has become the worldwide standard in the beverage industry. The great advantages of this system have made it the choice

of the world leading OEM's and End Users. It is a Combi system for both plastic and steel chains. Magnets underneath the track hold the chain down in a reliable way.



ULF Ultra Low Friction Guides

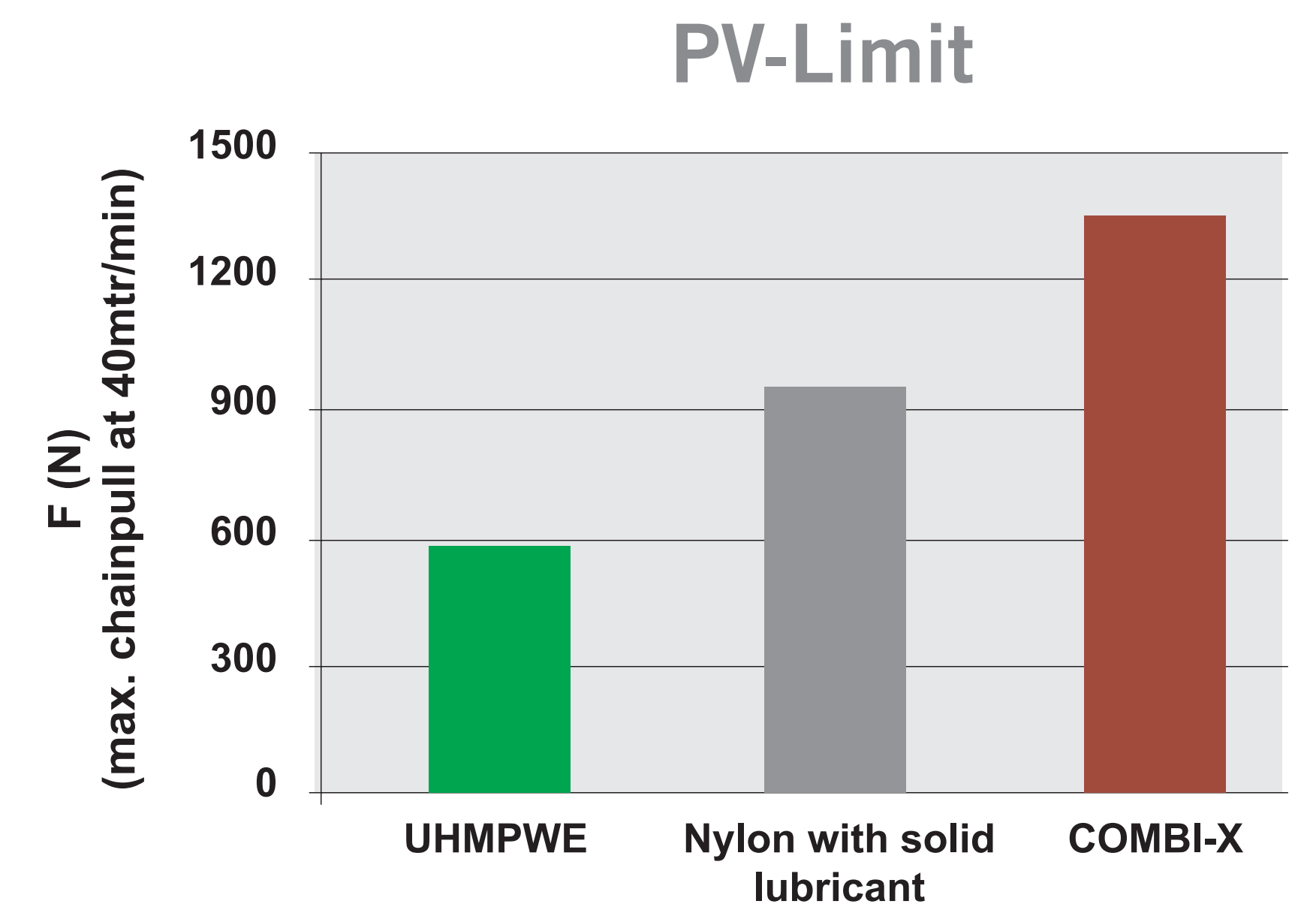
ULF (Ultra Low Friction) integrated wearstrips for minimum friction and long wear life. RAM extruded 6 million "density" UHMWPE combined with special lubricants results in lower friction and longer guide wear life, which means lower maintenance cost.

New Generation Hybrid Construction

Patented combination of standard resin base material combined with high performance ULF (Ultra Low Friction) guiding strips makes optimum use of different materials. Guiding strips are permanently fixed to the basepart.

Classic Magnet Package

The Combi-X Magnetflex® corner are equipped with the proved classic Rexnord Magnetic package, which consists of 2 strong Magnets combined with a Stainless Steel plate to ensure optimum force to hold the chain down.



High PV-limit

The Magnetflex® Combi-X has improved PV-properties with respect to the original Rexnord Nylatron curve material. This means the curves can be applied in high speed (dry running) applications.

Suitable for many application

The Magnetflex® Combi-X curves can be applied in dry run & lubricated conveyors. The corner tracks can be used in combination with Metal TableTop, Plastic TableTop as well as 1050-1060-1055 chain belts.

Machined Resin Basepart

The corner track basepart is CNC machined from sheet, made out of chemical resistant polymer, also characterized by high stiffness and good noise absorbing property. The smooth accurate surface finishing allows the easy cleanability too.

Product execution & Interchangability

The new Combi-X Magnetflex® Corner tracks are fully interchangeable with existing Magnetflex® corner tracks.

CURVE MATERIAL	APPLICATION						
	Lubricated, clean, stainless steel chains, plastic chains	Lubricated, abrasive, stainless steel chains	Lubricated, abrasive, plastic chains	Dry running, low speed, abrasive, steel chains	Dry running, low speed, clean, plastic chains	Dry running, high speed, clean, plastic chains	Dry running, high speed, abrasive, plastic chains
Combi-X	Best Choice	Optional	Best Choice		Best Choice	Best Choice	Optional
Combi-A	Best Choice				Best Choice		
Combi-L		Optional	Best Choice			Best Choice	Best Choice
Combi-S				Optional		Best Choice	Best Choice
Combi-G		Best Choice		Best Choice			

Best Choice
Optional



Rexnord FlatTop Europe
B.V. - The Netherlands
Phone: +31 174 445 111
Fax: +31 174 445 222

Rexnord Marbett S.R.L. - Italy
Phone: +39 0522 639333
Fax: +39 0522 637778

RMCC Deutschland kette GMBH
Phone: 0800-5888083
Fax: 0800-5888084

Rexnord FlatTop France
Phone: 0805 450 444
Fax: 0805 540 555

Rexnord FlatTop North America - USA
Phone: +1 262 376 4700
Fax: +1 262 376 4720

1979

Magnetflex® for Metal TableTop

1991

CIP Cleaning in place
Magnetflex® for Plastic TableTop

1992

Combi-S material

1992

Combi-G material

2003

Combi-L material

2009

Tubular Return

2010

Magnetflex® Combi-X Corner Tracks